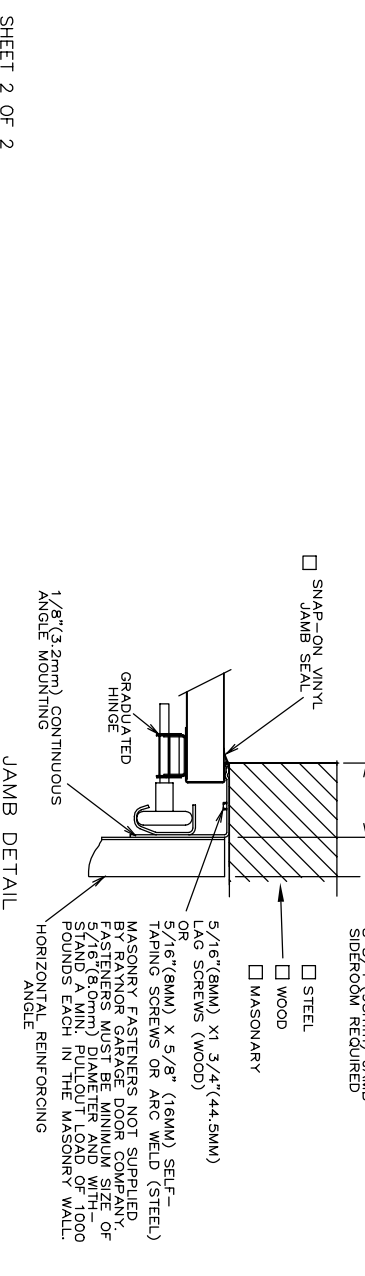
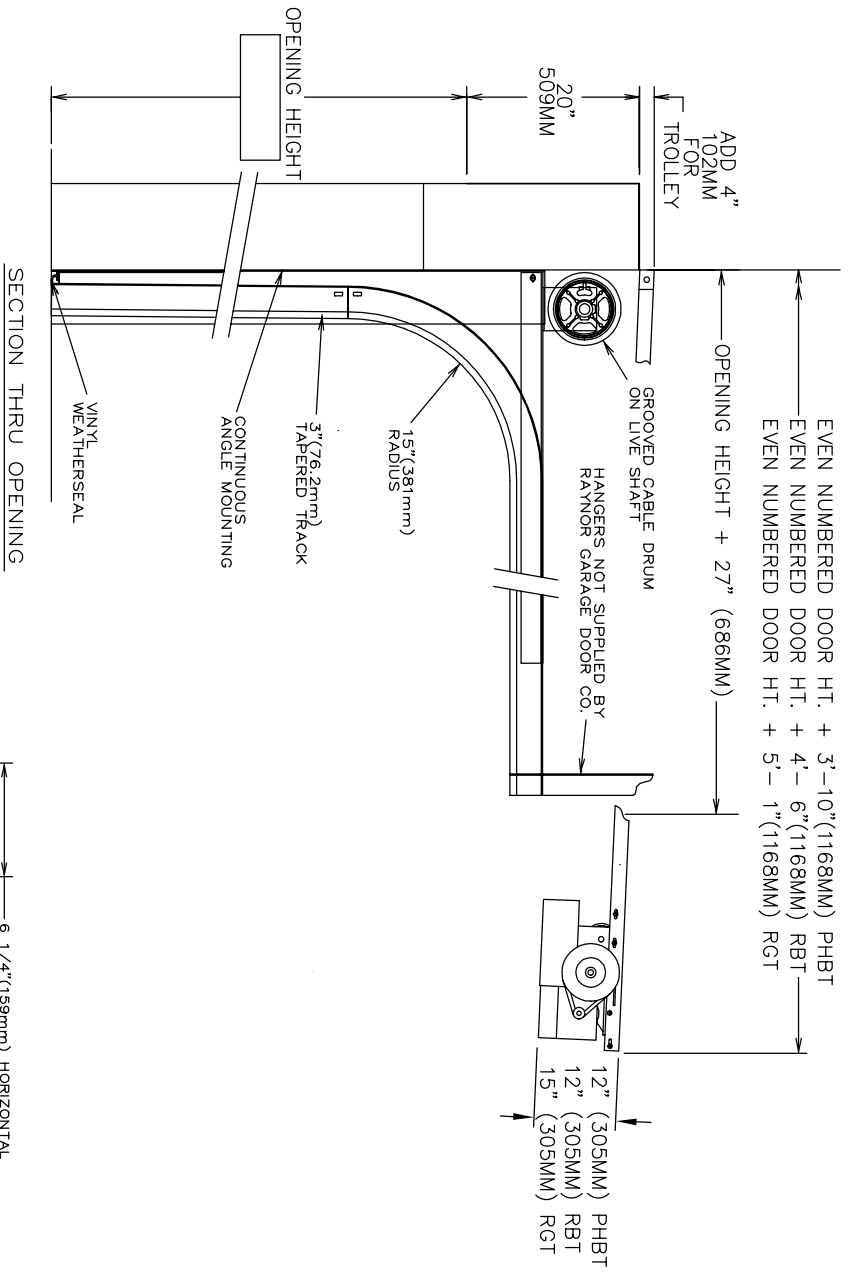


DOOR NUMBER	QTY	OPENING			ACTUAL			MODEL	JAMB MOUNTING			LOCK	PANELS		SECTION NUMBER	OPEN FOR GLASS																										
		WIDTH	HEIGHT	WIDTH	HEIGHT	W	S		M	ANGLE	PBKT		WIDE	HIGH		1	2	3	4	5	6	7	8																			

JOB:		
DISTR:		
CONTR:		
ARCH:	NR: 2902455	



- RAYNOR POWERHOIST BASIC (PHBT) 1/2 H.P., 115 VOLT, SINGLE PHASE
- RAYNOR POWERHOIST STANDARD (RBT) ___ H.P., ___ VOLT, ___ PHASE
- RAYNOR POWERHOIST OPTIMA (RGT) ___ H.P., ___ VOLT, ___ PHASE
- WIRING TYPE-SR2 WIRING, MOMENTARY CONTACT OPEN/CLOSE/STOP, SAFETY EDGE TO REVERSE.
- WIRING TYPE-SPECIAL (NOT AVAILABLE WITH PHBT OPERATORS) SPECIFY SPECIAL WIRING TYPE _____
- PNEUMATIC SAFETY EDGE TO REVERSE COIL CORD
- ELECTRIC SAFETY EDGE TO REVERSE CABLE TAKE UP REEL
- THRU-BEAM PHOTO EYES

ANSI/UL325 REQUIRES THE MOTOR OPERATOR BE MOUNTED A MINIMUM OF 8' ABOVE THE FLOOR OR GUARDING OF THE MOTOR OPERATOR TO PREVENT INJURY.(GUARDS BY OTHERS).

TRACKS- 3" (76.2mm) HOT-DIPPED GALVANIZED TRACK, PER ASTM A-653 TO BE CONTINUOUSLY ANTICORROSIVE AND FASTENED TO DOOR JOIST WITH CONTINUOUS ANGLE. ANGLE SIZE TO BE 3-1/2"x6"x1/8" (88.9mmx152mmx3.2mm), TO BE ADEQUATELY REINFORCED WITH CONTINUOUS ANGLE.

HARDWARE- HINGES AND BRACKETS MADE FROM GALVANIZED STEEL TRACK ROLLERS SHALL HAVE TEN 5/16" (7.9mm) DIAMETER HANDED STEEL BALLS PER ROLLER.

SPRINGS COUNTERBALANCE- HEAVY DUTY OIL-TEMPERED WIRE TORSION SPRINGS ON A CONTINUOUS BALL BEARING CROSS-HEADER SHAFT. GALVANIZED AIRCRAFT TYPE LIFTING CABLES WITH MIN. SAFETY FACTOR OF 5 TO 1.